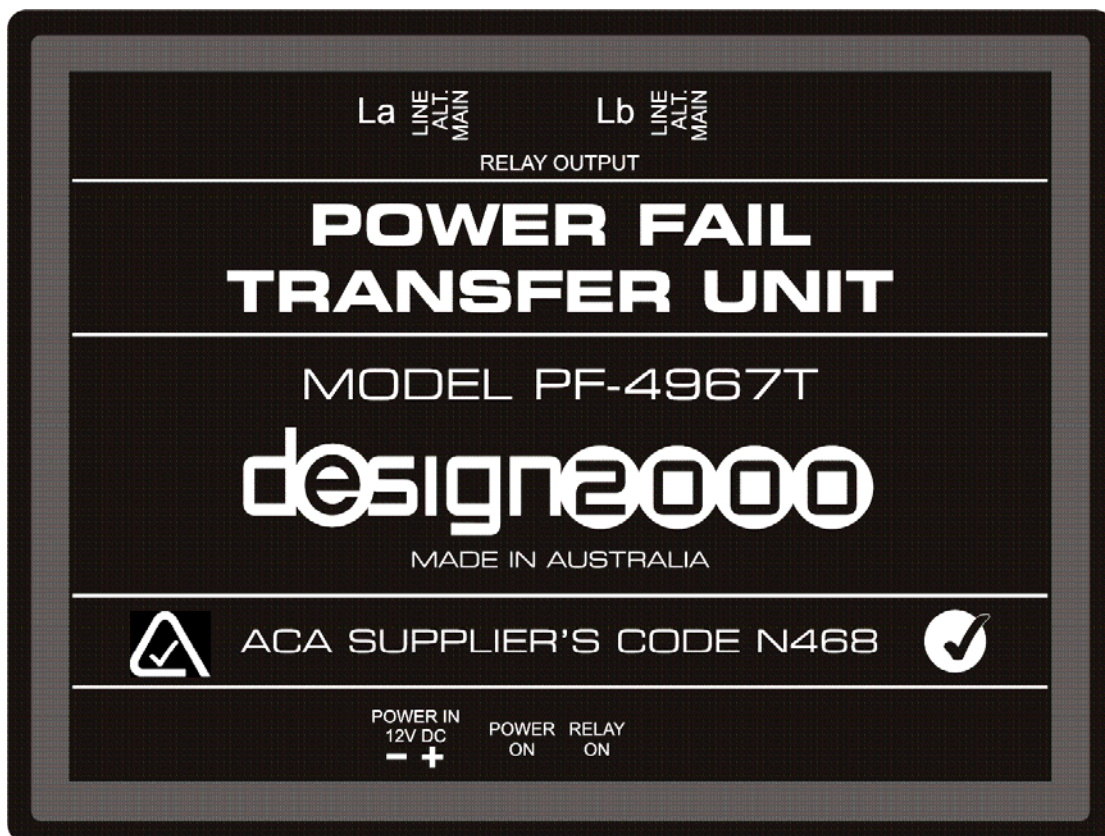




POWER-FAIL TRANSFER UNIT MODEL PF-4967T POWER FAIL CHANGE-OVER RELAY

The PF-4967T is an ACMA approved isolation relay for redirecting a phone line to an alternate path if the power is removed from the unit. Other configurations are available (Consult Factory).

PANEL LAYOUT



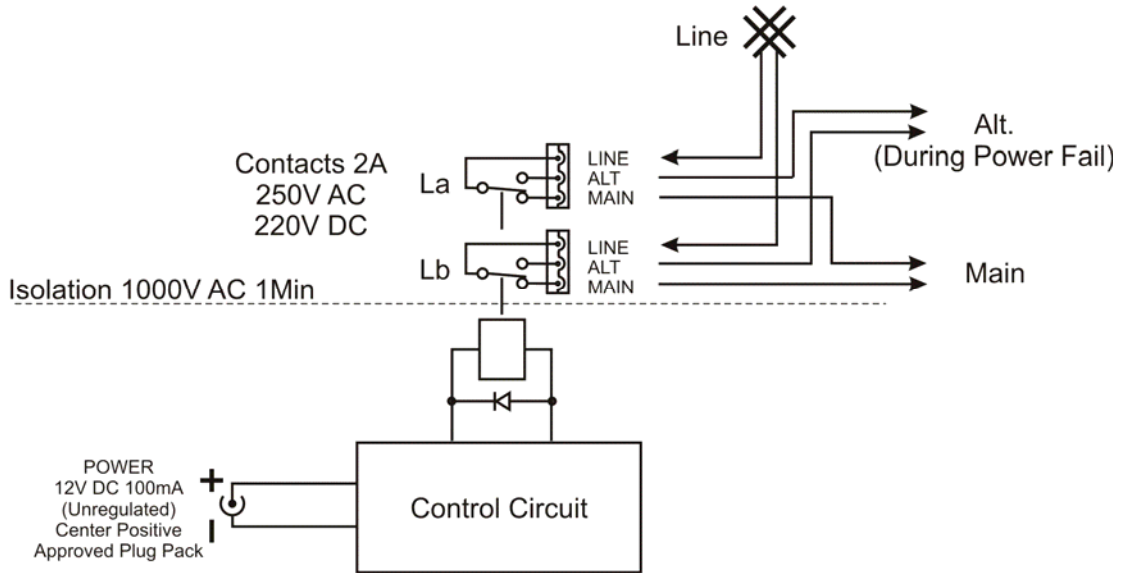
CONNECTIONS

- Power via the supplied 12 Vdc power adaptor is connected to POWER IN.
- The incoming both-way line is connected to La LINE and Lb LINE.
- The main outgoing both-way line is connected to La MAIN and Lb MAIN.
- The alternate outgoing both-way line is connected to La ALT. and Lb ALT.
- The incoming line is normally connected to the MAIN line and switches to the ALT. line when there is a power outage.





BLOCK DIAGRAM



Enclosure Dimensions: W 110 mm x H 52 mm x D 85 mm

Part Number: PF-4967T

ACMA Supplier's Code: N468

design2000

Est. 1968

Telephone: 03 9758 5933
 Facsimile: 03 9758 5560
 Email: gen@design2000.com.au
 Web site: www.design2000.com.au

